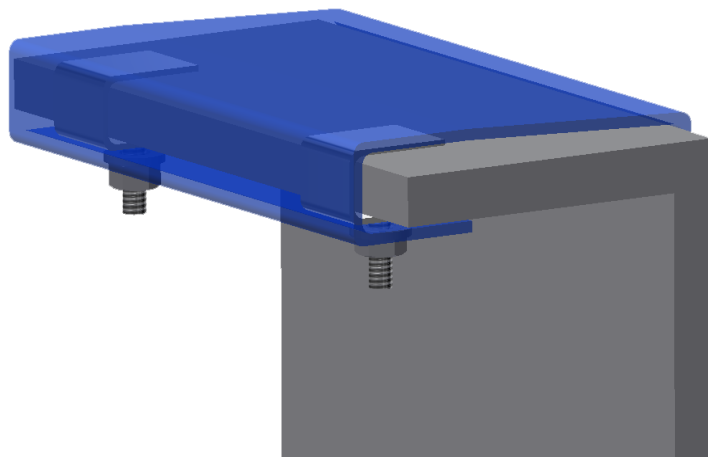


We can line anything.

Wittclip™ Fastener



The perfect method for fastening liners is our Wittclip™. Witt liner clips secure the liner to the tank creating a better fit than traditional rope and grommets.



Instructions:

1. Pass the stud of the Wittclip through the back side of the pre-punched holes and attach the washer and nut.
2. Attach clips to the tank rim beginning in the corners and working towards the middle of the tank.
3. Pulling up on the sidewalls of the liner will provide slack to help get the clip on the tank rim.

Need more information? View our instructional [Wittclip™ Installation video](#).

Witt Lining Systems... the best choice for you!

- 45+ years of commitment to industrial lining solutions
- Dedicated to industrial liners only – no ponds, lagoons, pools, etc.
- Innovative product ideas and fabrication techniques
- Honored by US Dept. of Commerce



witt lining systems

We can line anything.

www.wittliners.com

800.323.3335 | P.O. Box 488 | Claremore, OK 74018

© 2017 Witt Lining Systems